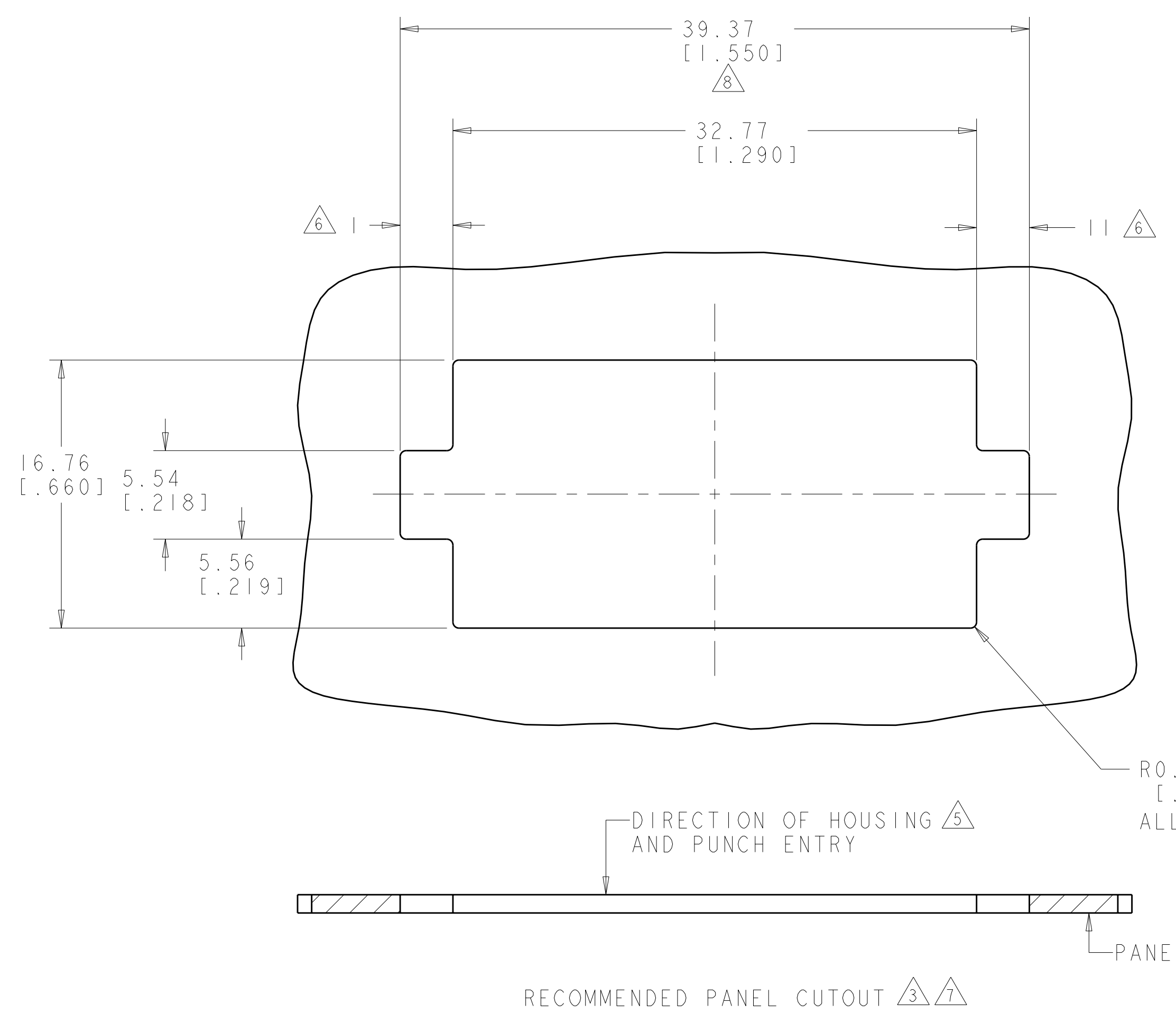
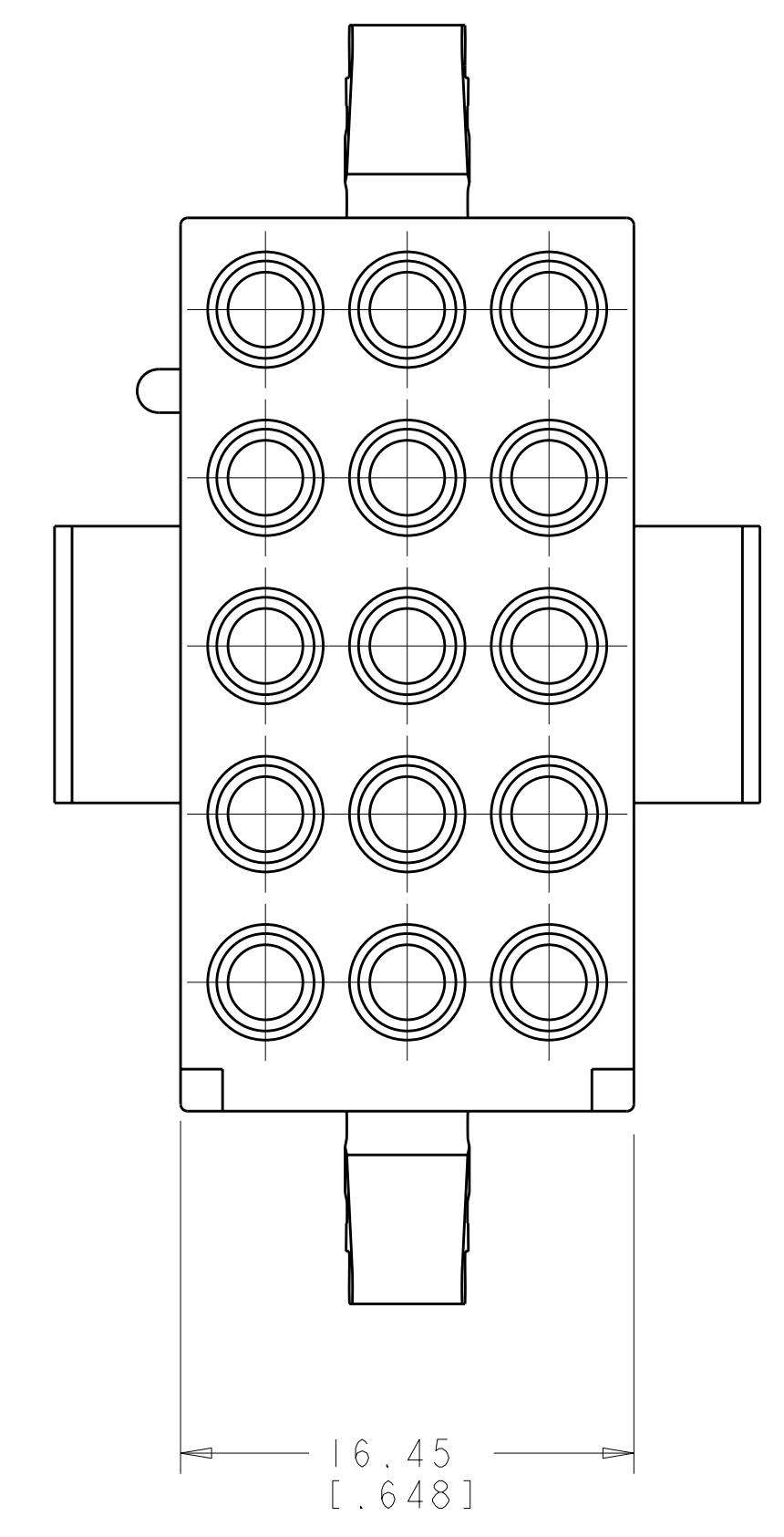
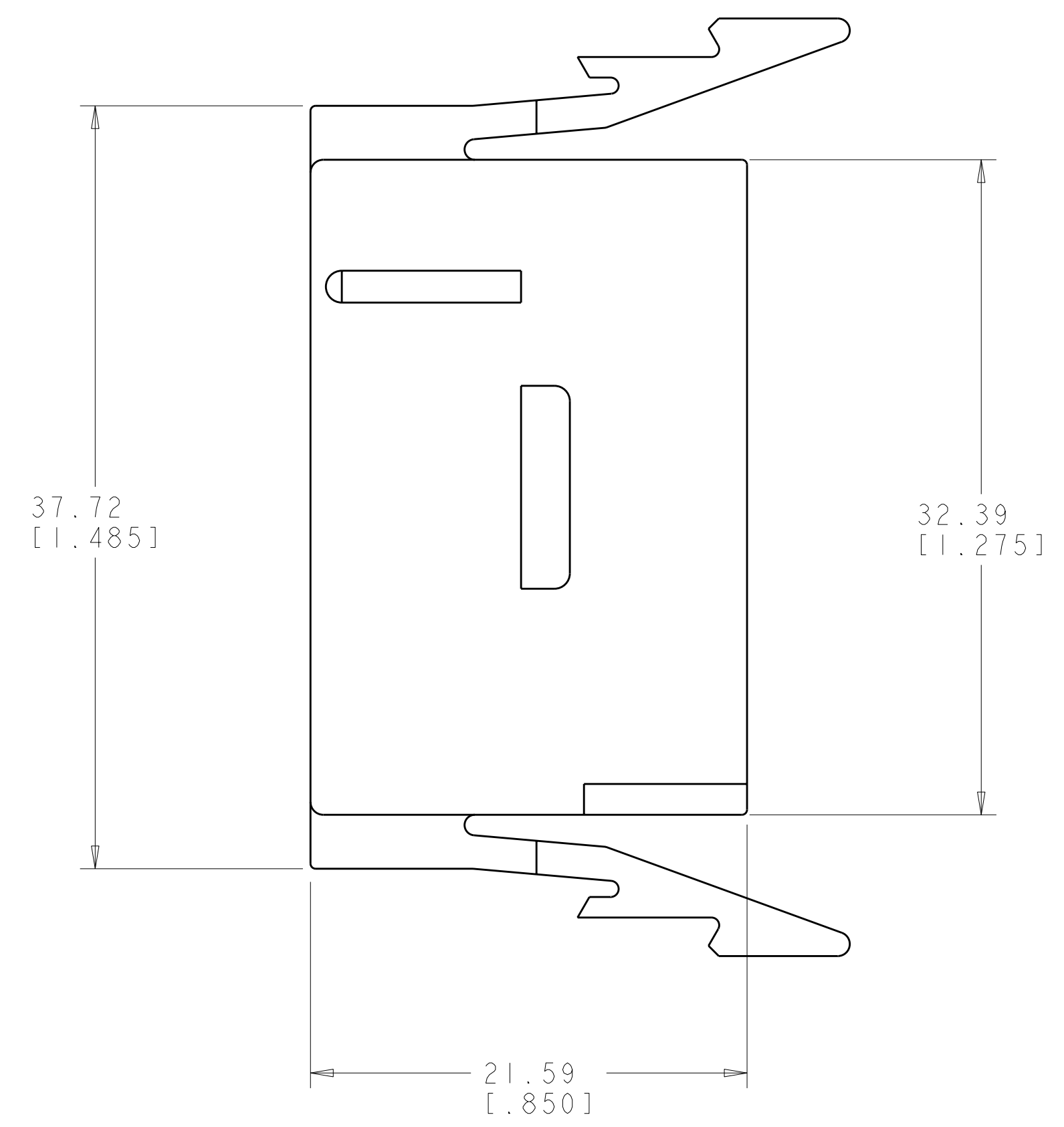
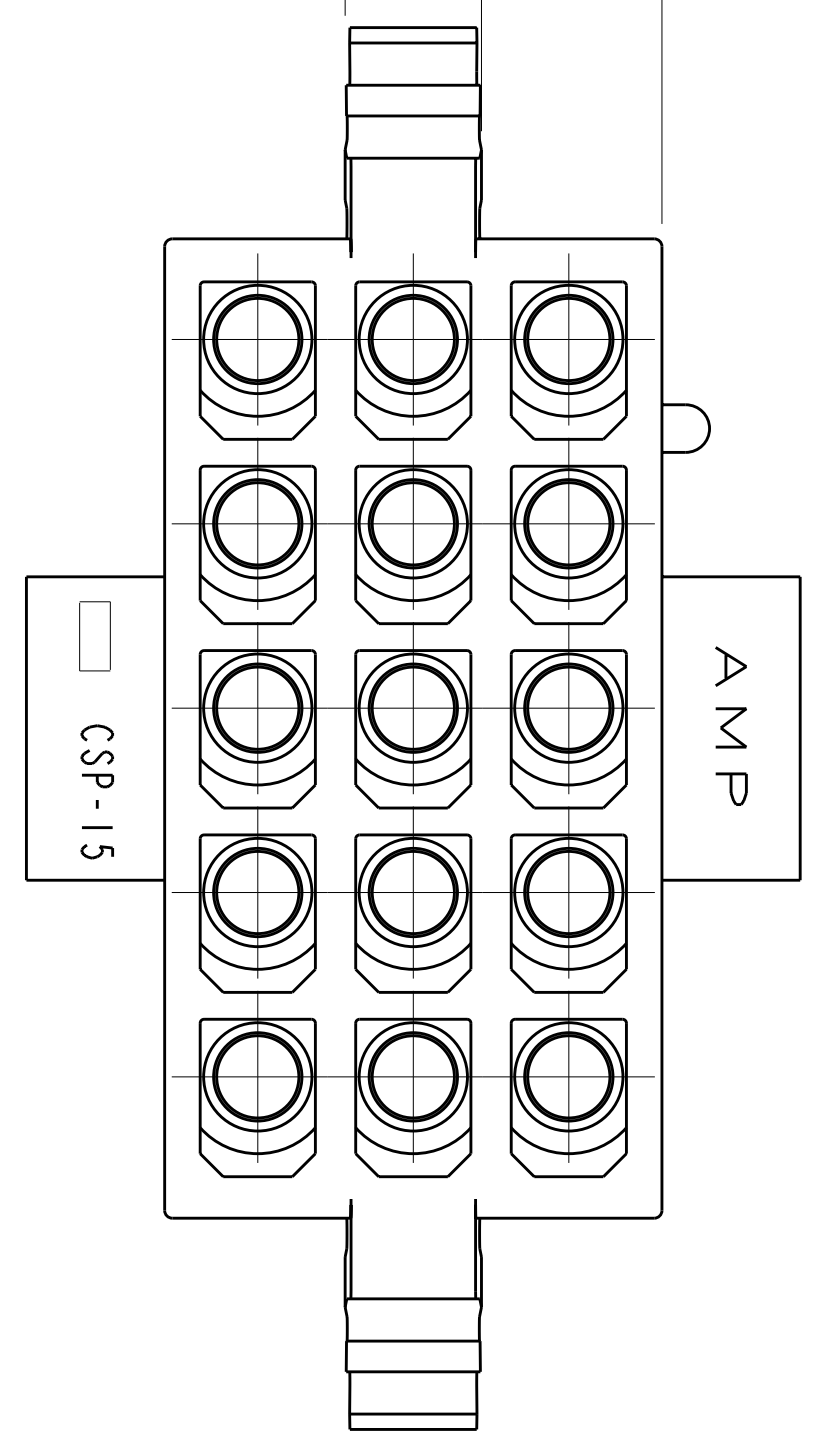


LOC	DIST	REV	DATE	DWN	APVD
CM	00	V	25FEB2008	KW	CC

- TO BE USED WITH COMMERCIAL MATE-N-LOK™ SOCKETS.
- THIS PLUG TO BE USED WITH CAP 480324.
- RECOMMENDED PANEL THICKNESS 0.64-1.65 [0.025-.065].
- BOTH LOCKING LEGS TO BE SQUEEZED TOGETHER AND HOUSING TO BE INSERTED STRAIGHT IN AS OPPOSED TO A ROCKING MANNER.
- PANEL MUST BE PUNCHED SO THAT THE HOUSING ENTERS IN THE SAME DIRECTION AS THE PUNCH.
- DIMENSIONS I & II TO BE EQUAL WITHIN 0.13 [0.005].
- PANEL MUST NOT HAVE ANY MATERIAL (PAINT, PORCELAIN, ETC.) APPLIED IN THE MOUNTING HOLE AREA THAT WOULD DECREASE RETENTION OF THE HOUSING IN THE PANEL.
- IF NOTES 3 AND/OR 5 ARE NOT COMPLIED WITH THE 39.37 [1.550] DIMENSION SHOULD BE REDUCED TO 38.86 [1.530] TO ASSURE PROPER HOUSING RETENTION IN THE PANEL.

4.45-4.57  
[.175-.180]

5.97  
[.235]



0.453 IN <sup>3</sup>	1-480323-0
VOLUME	PART NUMBER

DIMENSIONS: mm [ INCHES ]		TOLERANCES UNLESS OTHERWISE SPECIFIED: 0 PLC ± 1 PLC ± 2 PLC ±0.13 [0.005] 3 PLC ± 4 PLC ± 5 PLC ±		DWN R. WHITAKER 25FEB2008 CHK C. CASH 25FEB2008 APVD C. CASH 25FEB2008	
FINISH: 40° 30'		PRODUCT SPEC:		NAME: Tyco Electronics Tyco Electronics Harrisburg, PA 17105-3608	
MATERIAL:		APPLICATION SPEC:		SIZE: CAGE CODE: DRAWING NO: RESTRICTED TO:	
CUSTOMER DRAWING		WEIGHT:		A   00779   C=480323	
SCALE: 4:1		SHEET: 1 OF 1		REV: V	